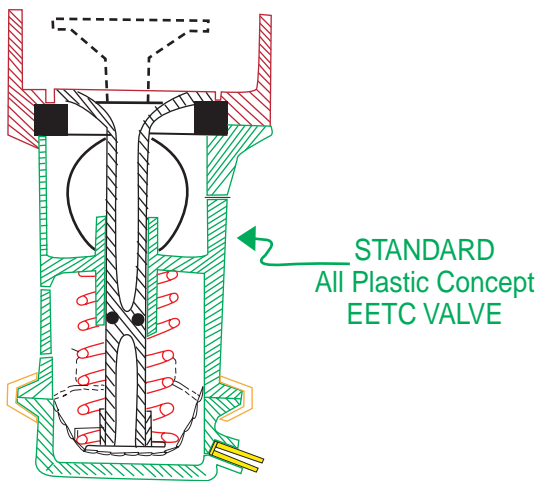
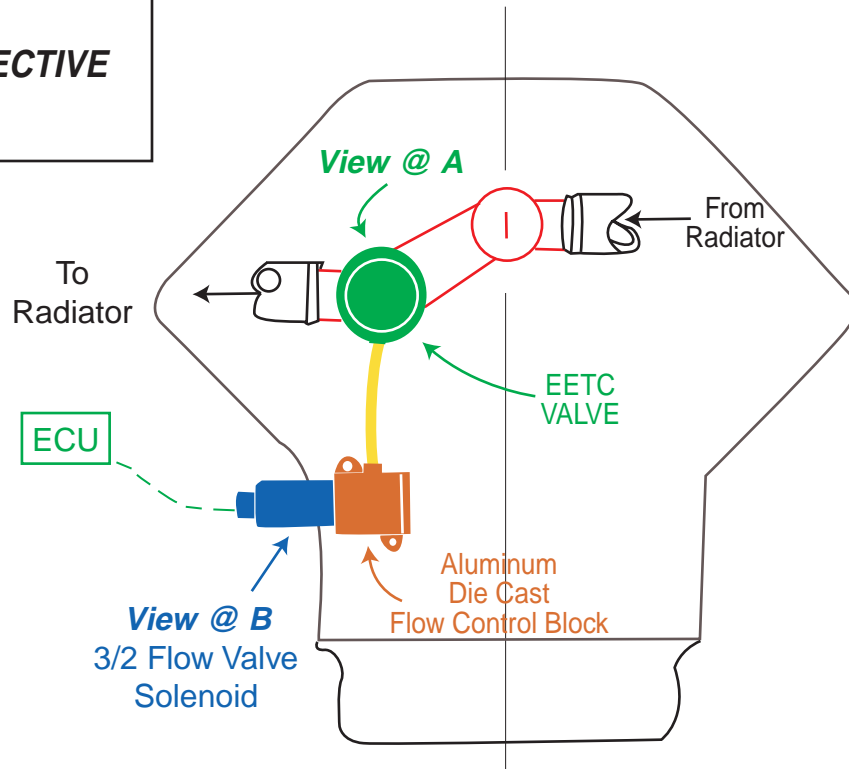


EETC™ System.com Production Layout Concept for SUV Type Vehicles

- **SIMPLE**
- **COST EFFECTIVE**
- **DURABLE**



View @ A (section)

INTEGRAL OIL PASSAGES

